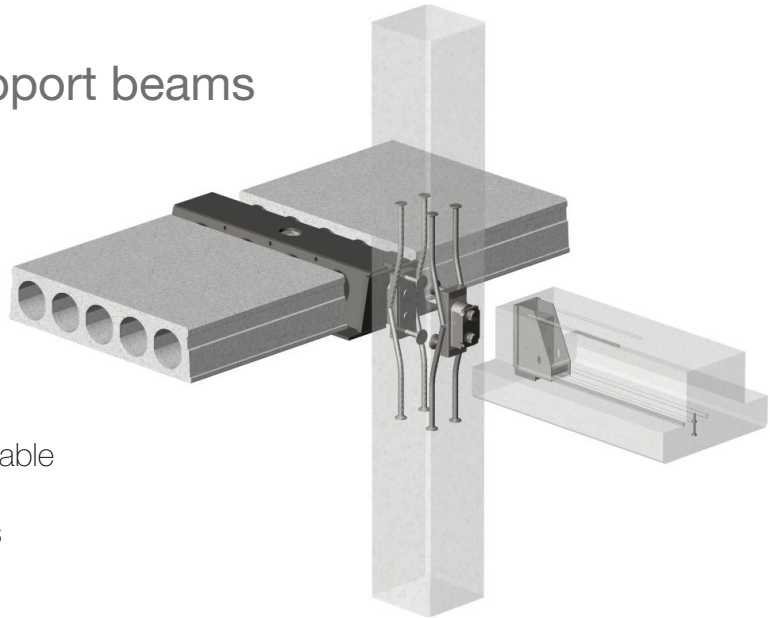


## PCs Corbel

### Corbel system to support beams

#### System benefits

- Free space below beam with hidden corbel
- Easy formwork with constant cross section of column
- Location of corbel is adjustable after casting the column
- Smooth installing of beams



PCs Corbel is a building product used as vertical support between steel beams or composite steel-concrete beams (Deltabeam) or reinforced concrete beams and reinforced concrete columns or walls. It consists of a steel corbel bolted to a fastening plate integrated into the column. The fastening plate is cast to the column together with the main reinforcement and the corbel plate is attached to the column only after the formwork is removed. The shape and material of the formwork may be such as if there was no corbel at all!

PCs is dimensioned so that the position of corbel plate may be rectified with regards to the column plate. After the corbel plate is bolted to the column plate, PCs may be used without any other additional actions in factory or on site (wedging, welding etc...). The standard models of PCs are designed to withstand vertical loads up to 1500 kN. These resistances are guaranteed for PCs supporting steel, composite and concrete beams. In addition to vertical resistance, torsion resistance is also guaranteed for PCs supporting steel and composite beams.

