

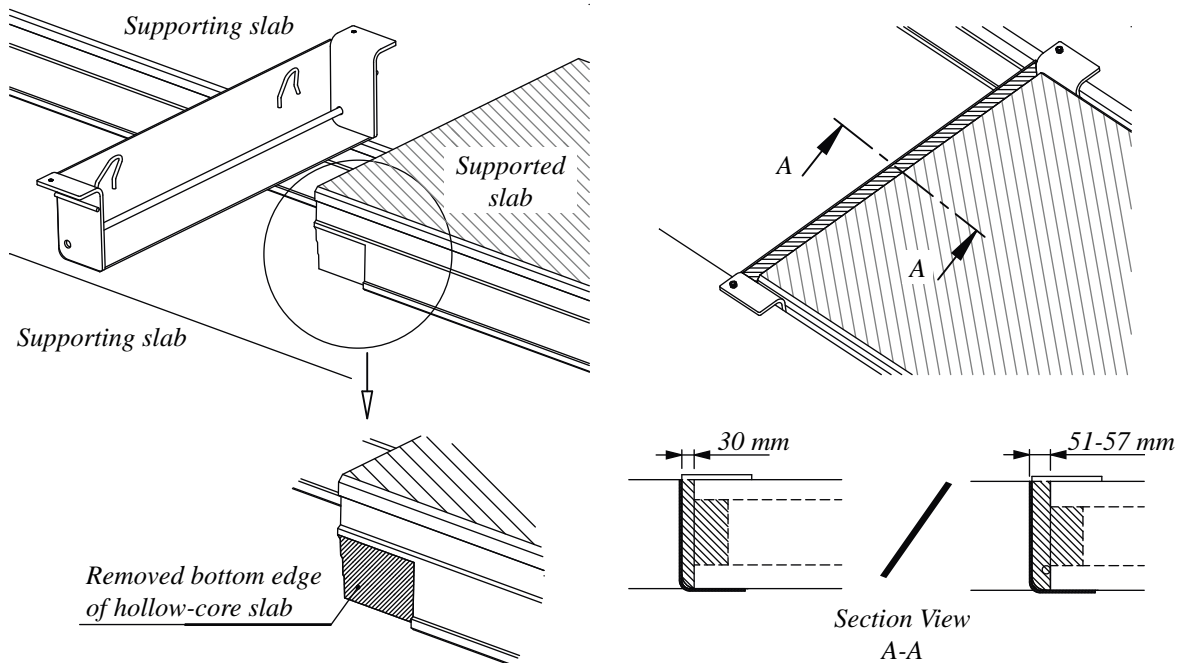
Identification of the product

The standard PETRA models are described by codes. Standard PETRA models may be identified using this code in the plan drawings of the building. On-site, each PETRA hanger is identified by a label that includes this code. PETRA Special hangers are described by a code with a unique ID code. This code may be used to identify PETRA Special parts both in the plan drawings and on-site.

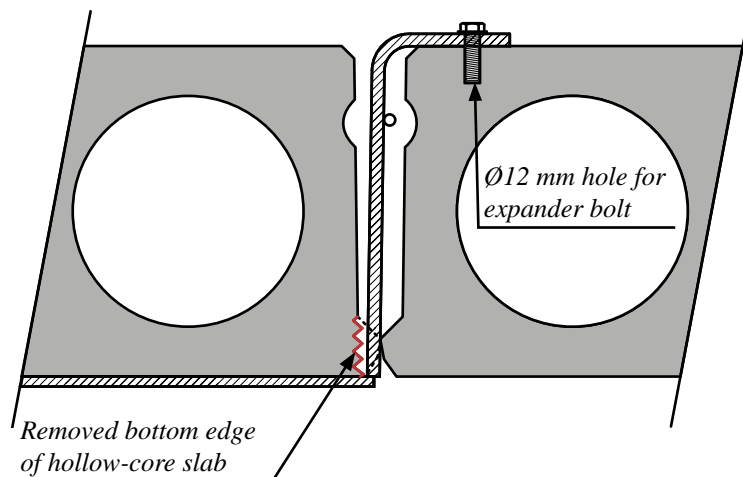
Colors of PETRA models:

- PETRA (light blue)
- PETRA strong (gray)
- PETRA recess (gray)
- PETRA special (green)

PETRA must be installed on an undamaged hollow-core slab in the location determined in the plan drawing. The slab must be placed so that it is in contact with the fire rebar, with the horizontal steel strip welded to the front plate, or with the lifting loop.



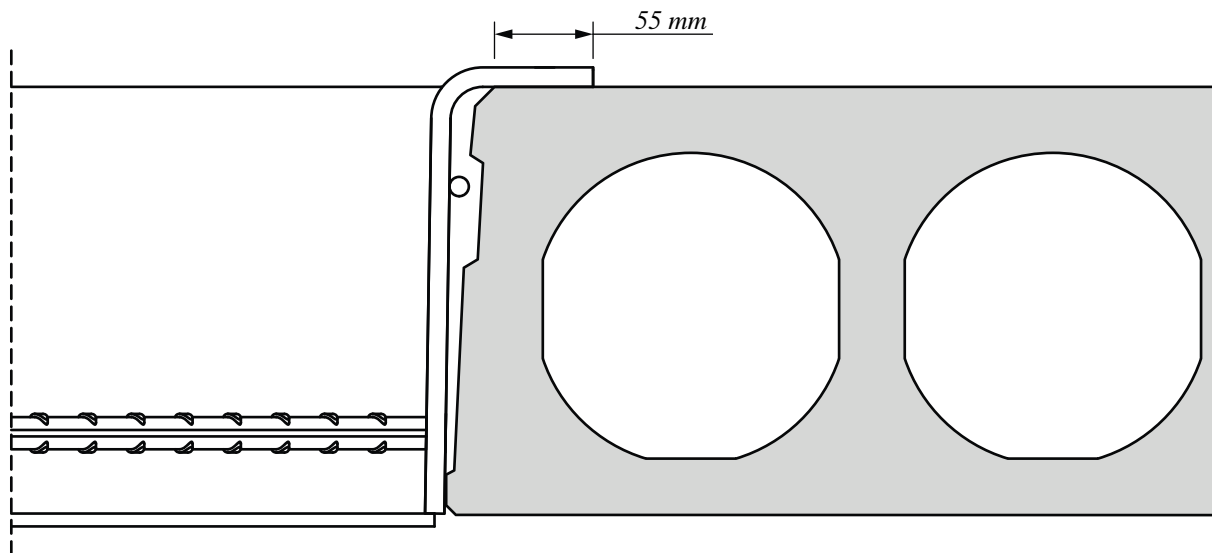
The bottom edge of the supported slab should be removed so that the slab bears directly on the front plate. The top flange of the side plates of the PETRA contains $\text{Ø}12$ mm holes for fastening PETRA to supporting hollow-core slabs using expander bolts.



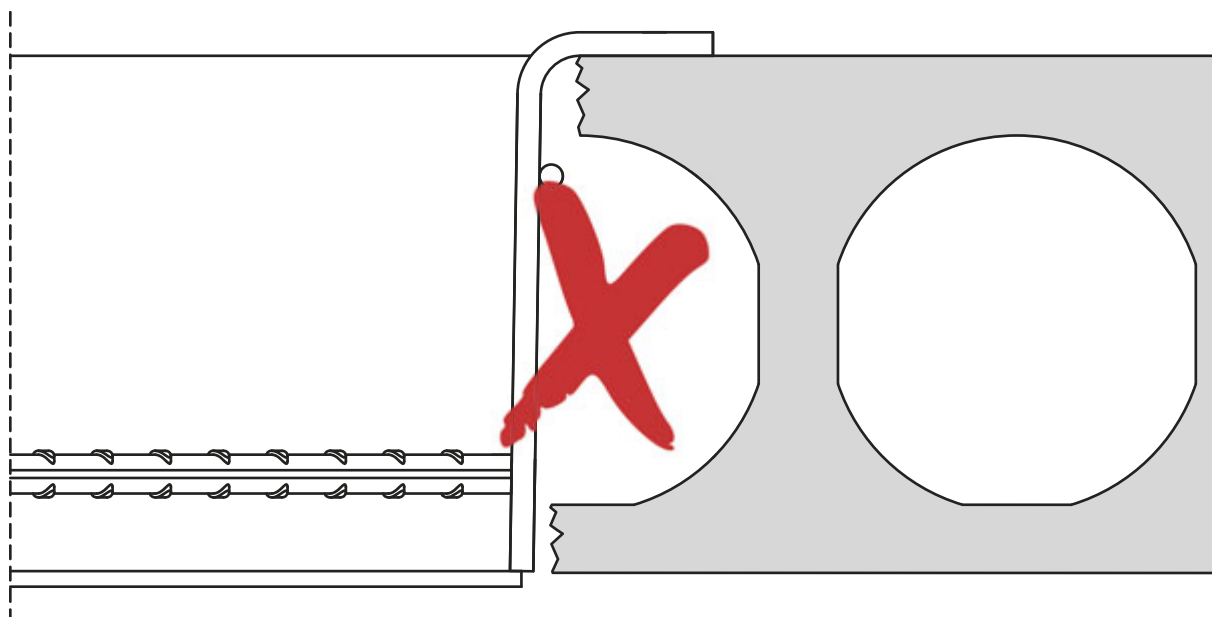
Installation of PETRA

The gap between PETRA and the hollow-core slab should be fully cast when concreting the floor. The concrete should be hardened before applying loads to the floor. Lifting loops welded on the front plate are used in the manufacturing and shipping process. They can be removed before PETRA is installed on-site.

PETRA must be installed on an undamaged edge of hollow-core slab.



It is not allowed to support PETRA on the area of empty non-reinforced hollow.



Two hollows must be connected, reinforced, casted and designed to support PETRA when there is a need to support PETRA on the area of hollows.

